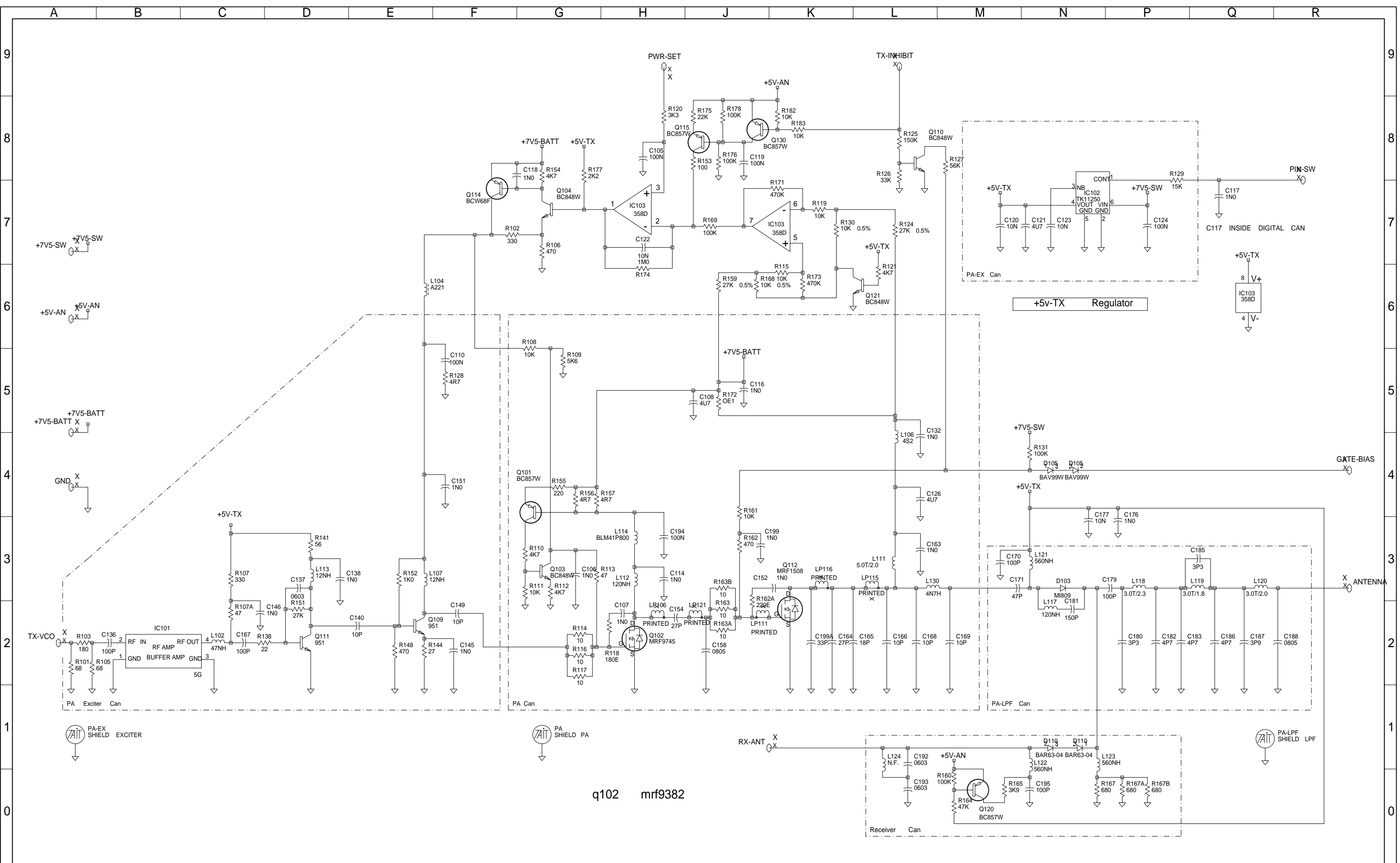


08	UPDATED MUTE CIRCUITRY	DBH	X	X	X	X
REV/ISS	AMENDMENTS	DRAWN	CHKD	D.O.	APVD	DATE

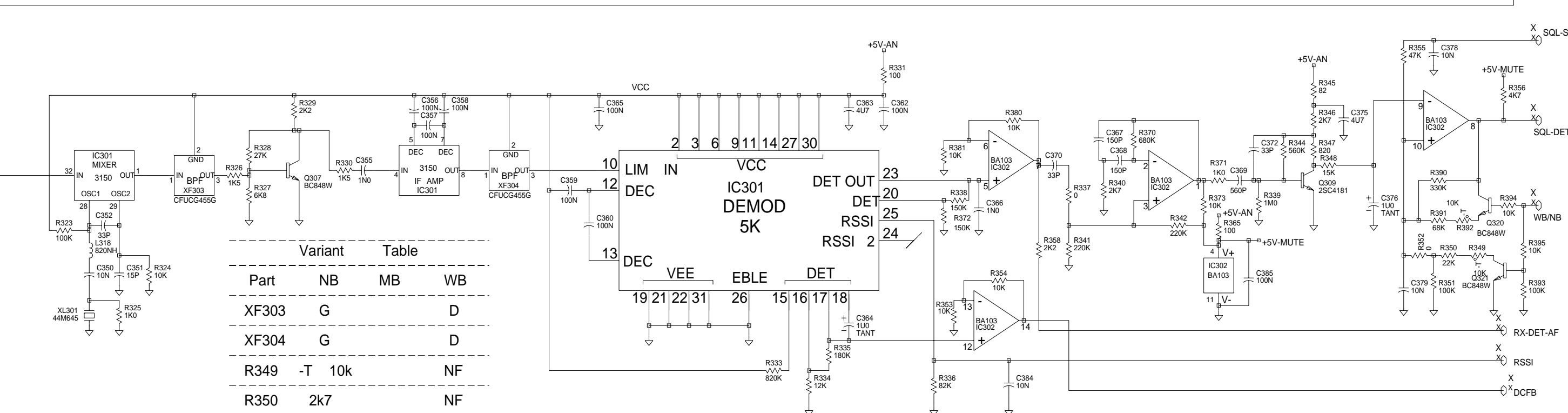
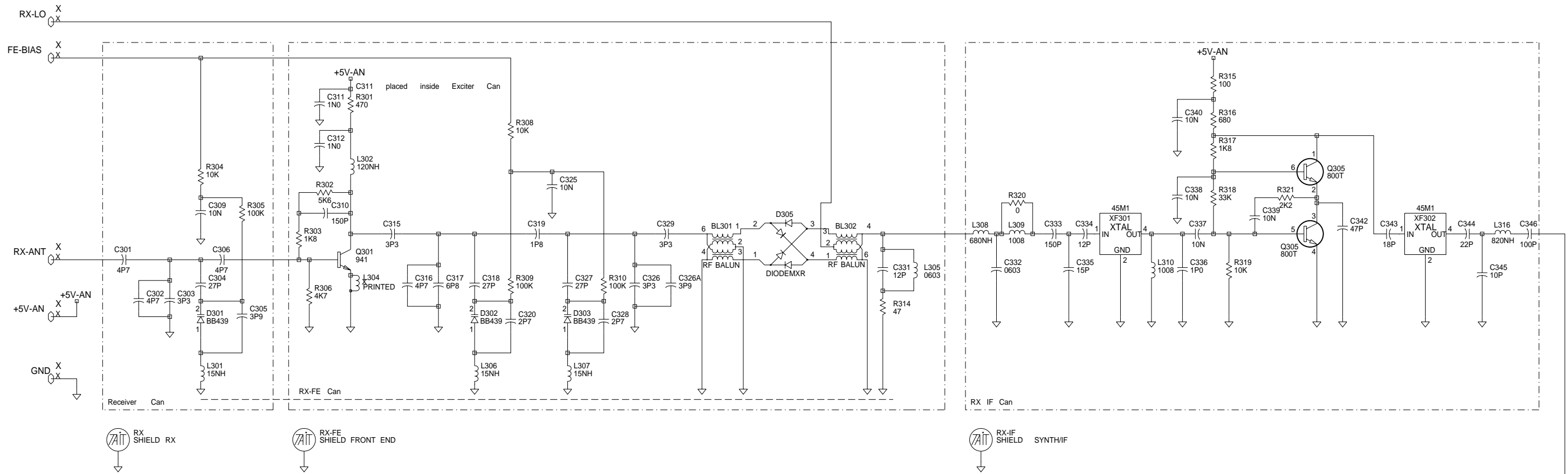
© TAIT ELECTRONICS
 ORCA :TOP-I2110 450-530MHZ SYSTEM DIAGRAM
 IPN: A ID: 2.SC. 1
 PROJECT: 220-01573-01 DESIGNER: DBH FILE NAME: 157301A FILE DATE: 16-11-98 NO.SHEETS: 7



q102 mrf9382

© TAIT ELECTRONICS	
ORCA	:TOP-I2110 450-530MHZ POWER AMPLIFIER
IPN: 220-01573-01	ISSUE: A 2.S.C. 2
PROJECT: ORCA	DESIGNER: DBH
FILE NAME: 139208A	FILE DATE: 16-11-98
NO. SHEETS: 7	

REV/ISS	AMENDMENTS	DRAWN	CHKD	D.O.	APVD	DATE
A						



Variant Table

Part	NB	MB	WB
XF303	G		D
XF304	G		D
R349	-T	10k	NF
R350	2k7		NF
C370	22p		22P
C369	330P		330P

© TAIT ELECTRONICS

ORCA :TOP-I2110 450-530MHZ RECEIVER

IPN: 220-01573-01

ISSUE: A

ID: 2.S.C. 3

PROJECT: ORCA

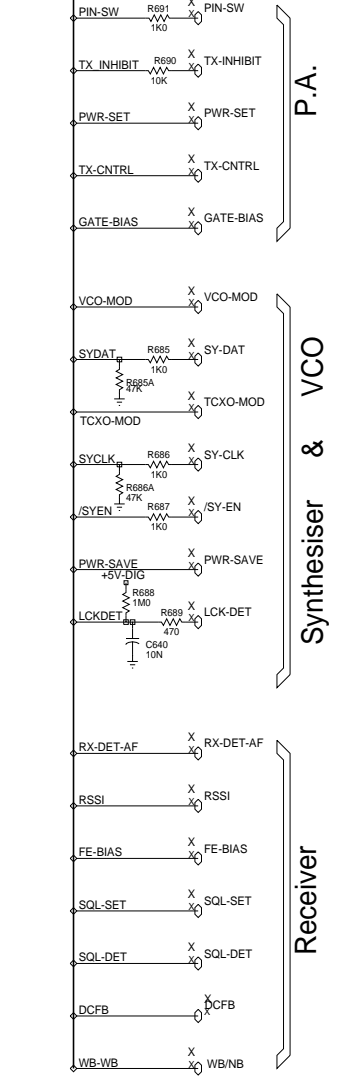
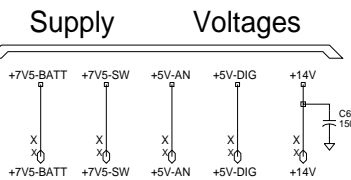
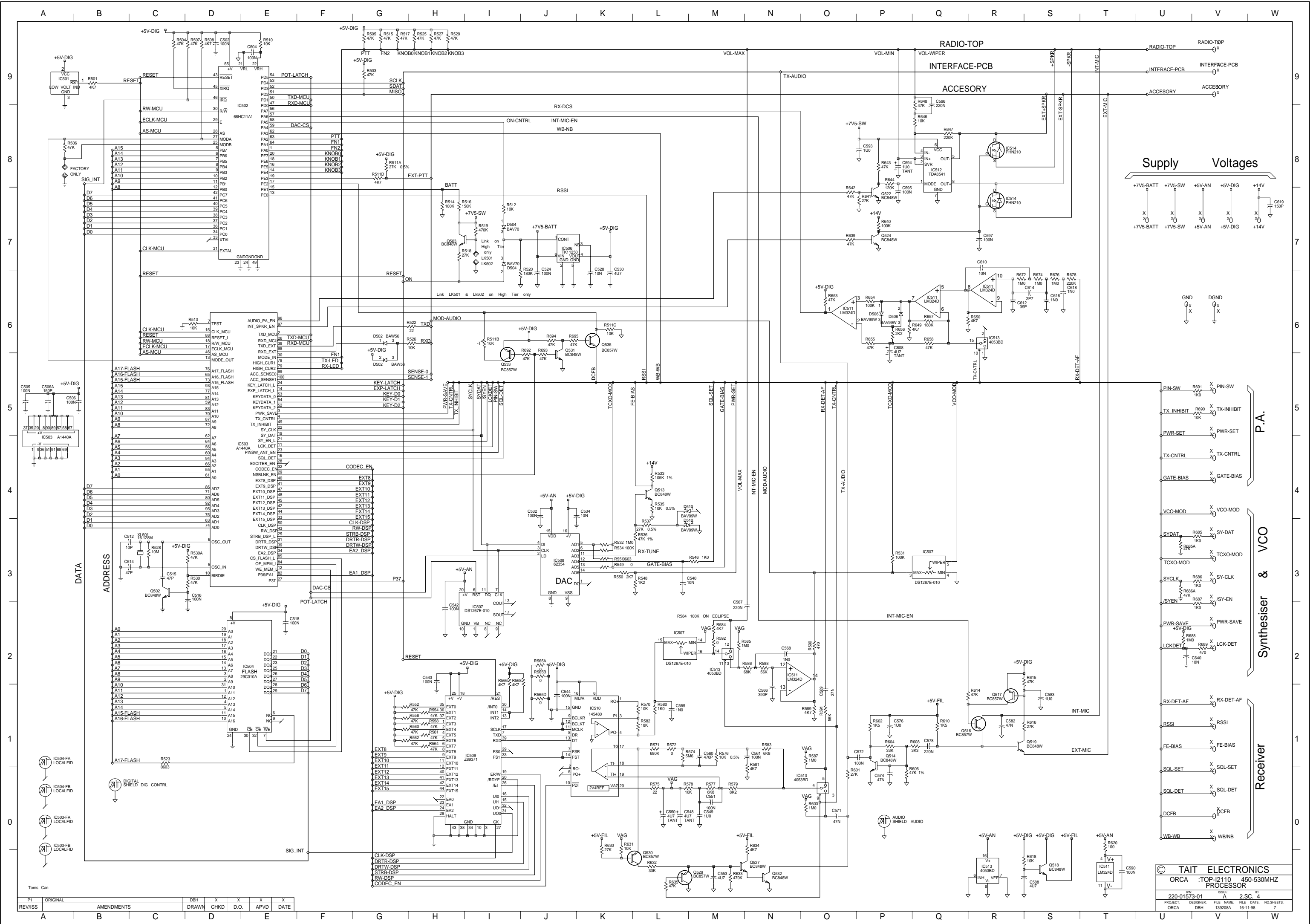
DESIGNER: DBH

FILE NAME: 139208A

FILE DATE: 16-11-98

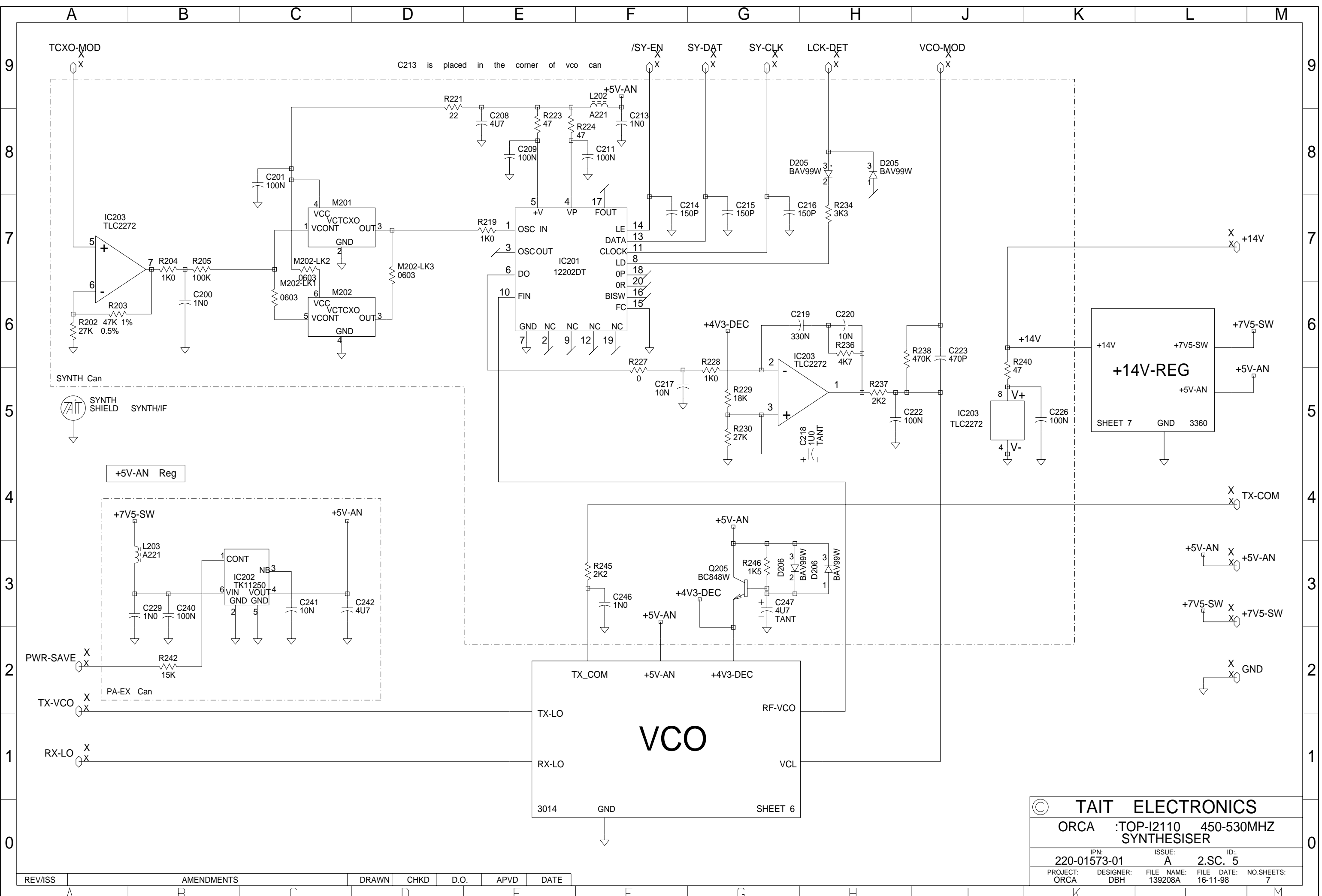
NO.SHEETS: 7

REV/ISS	AMENDMENTS	DRAWN	CHKD	D.O.	APVD	DATE



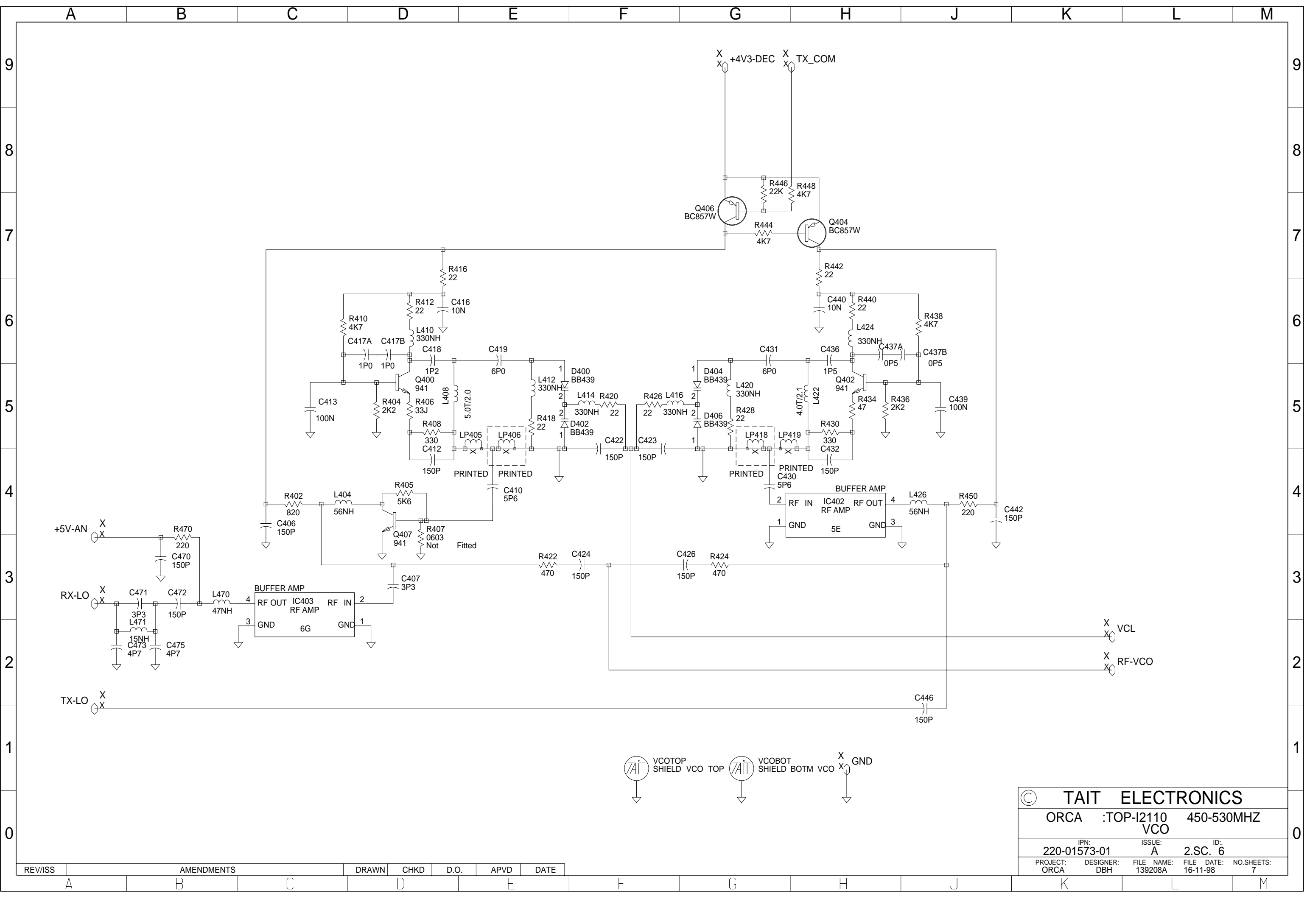
© TAIT ELECTRONICS
 ORCA :TOP-I2110 450-530MHZ
 PROCESSOR
 220-01573-01
 PROJECT: DESIGNED: FILE NAME: FILE DATE: NO SHEETS: 7
 ORCA DBH 130208A 16-11-98

REV/ISS	ORIGINAL	AMENDMENTS	DBH	X	X	X	X
			DRAWN	CHKD	D.O.	APVD	DATE
A							
B							
C							
D							
E							
F							
G							
H							
I							
J							
K							
L							
M							
N							
O							
P							
Q							
R							
S							
T							
U							
V							
W							



© TAIT ELECTRONICS				
ORCA		:TOP-I2110		450-530MHZ
SYNTHESISER				
IPN:	ISSUE:	ID:		
220-01573-01	A	2.SC. 5		
PROJECT:	DESIGNER:	FILE NAME:	FILE DATE:	NO.SHEETS:
ORCA	DBH	139208A	16-11-98	7

REV/ISS	AMENDMENTS	DRAWN	CHKD	D.O.	APVD	DATE



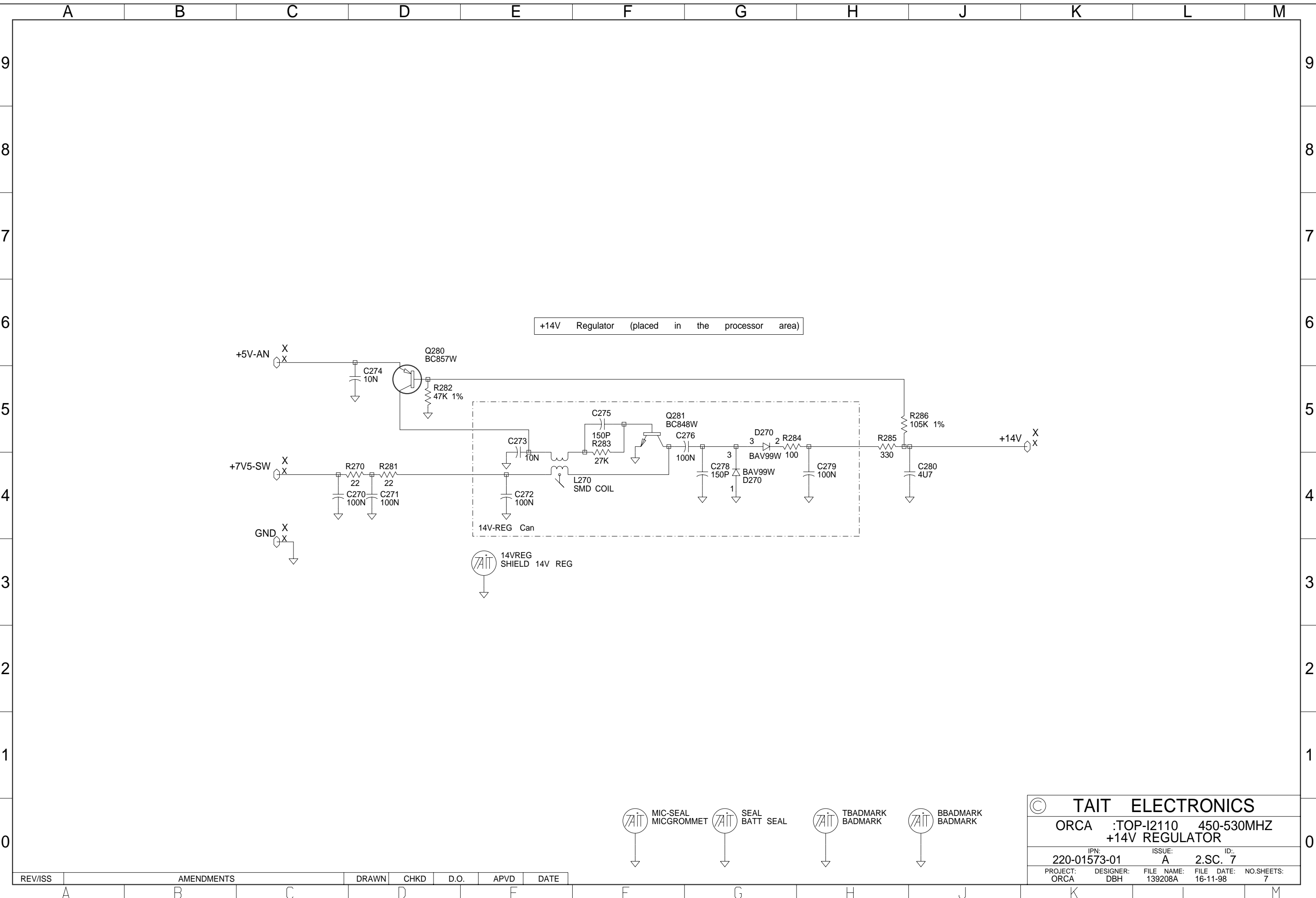
© TAIT ELECTRONICS





ORCA :TOP-I2110 450-530MHZ
VCO

IPN: 220-01573-01 ISSUE: A ID: 2.SC. 6

PROJECT: ORCA DESIGNER: DBH FILE NAME: 139208A FILE DATE: 16-11-98 NO.SHEETS: 7

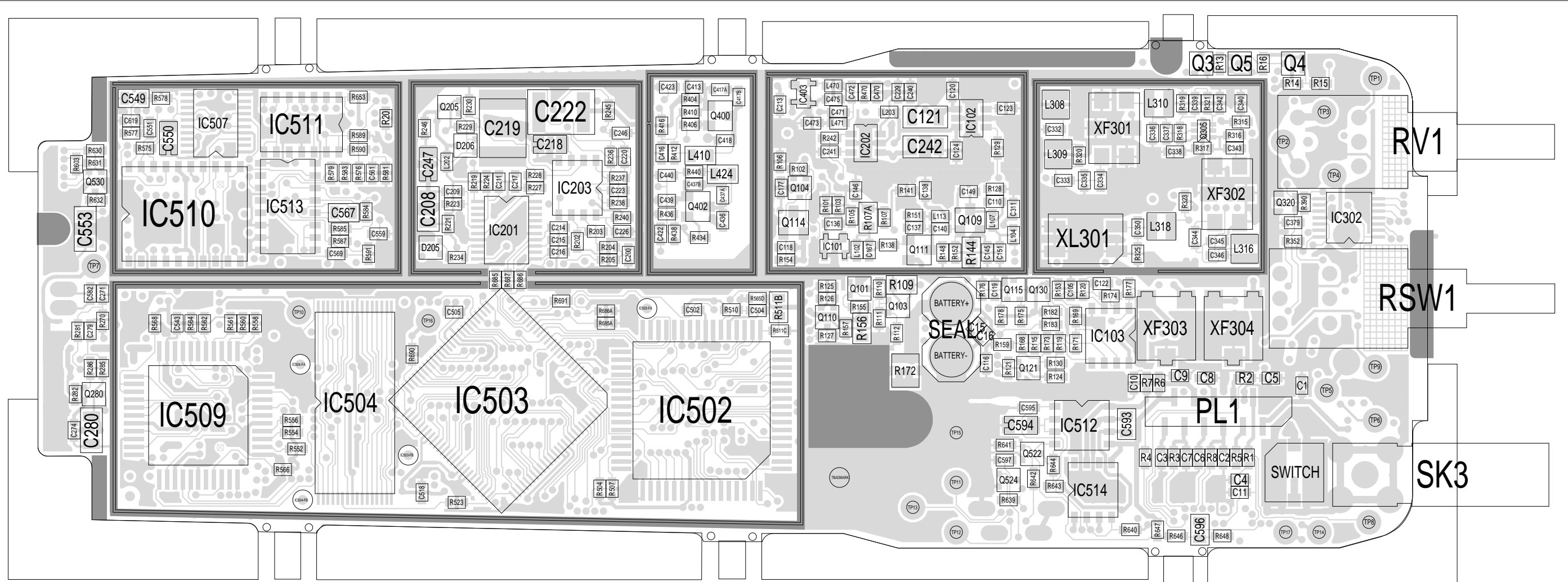
REV/ISS	AMENDMENTS	DRAWN	CHKD	D.O.	APVD	DATE



- 
 MIC-SEAL
 MICGROMMET
- 
 SEAL
 BATT SEAL
- 
 TBADMARK
 BADMARK
- 
 BBADMARK
 BADMARK

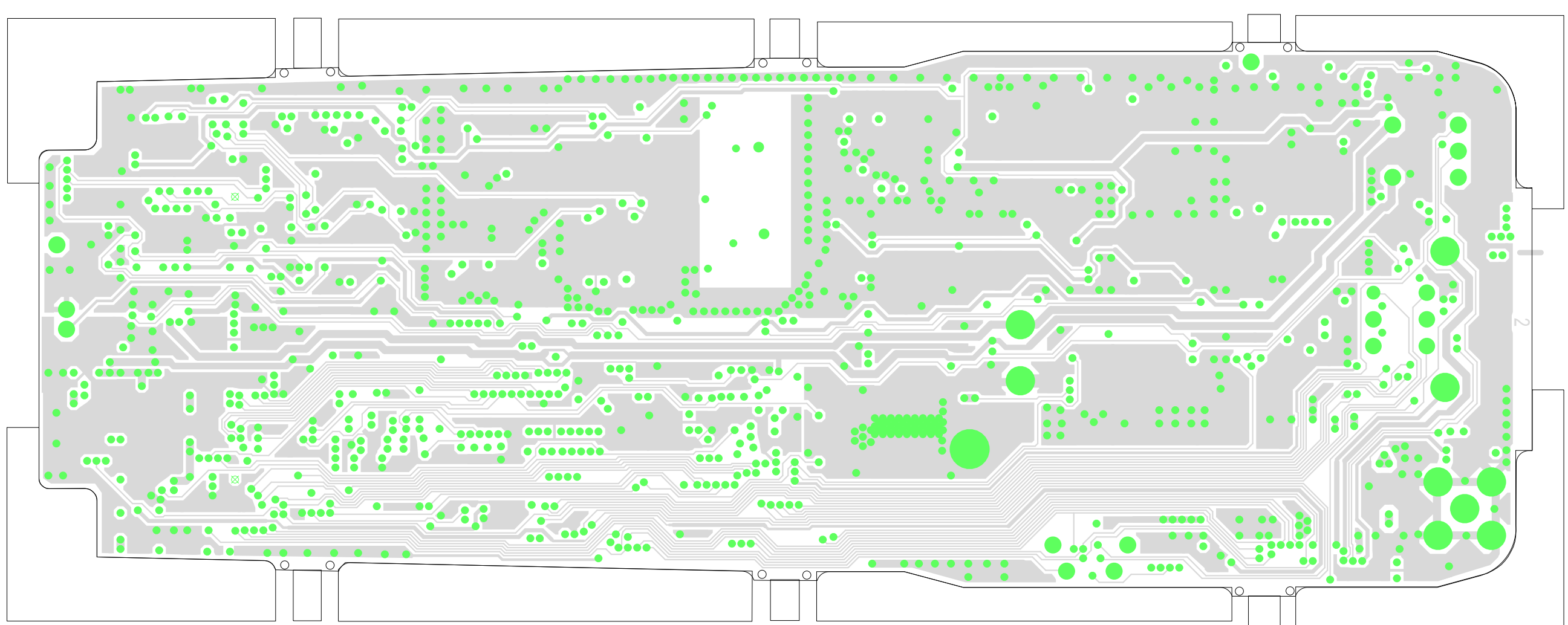
© TAIT ELECTRONICS				
ORCA		:TOP-I2110		450-530MHZ
+14V REGULATOR				
IPN: 220-01573-01		ISSUE: A		ID: 2.SC. 7
PROJECT: ORCA	DESIGNER: DBH	FILE NAME: 139208A	FILE DATE: 16-11-98	NO.SHEETS: 7

REV/ISS	AMENDMENTS	DRAWN	CHKD	D.O.	APVD	DATE



TAIT ELECTRONICS	IPN: 220-01573-01	ISS: -01A	ID: 1.TA	DATE: 17 Nov 1998
ORCA UHF PCB LAYOUT - TOP SIDE				

Scale: 2.3:1 ; Rotation: 0 degrees



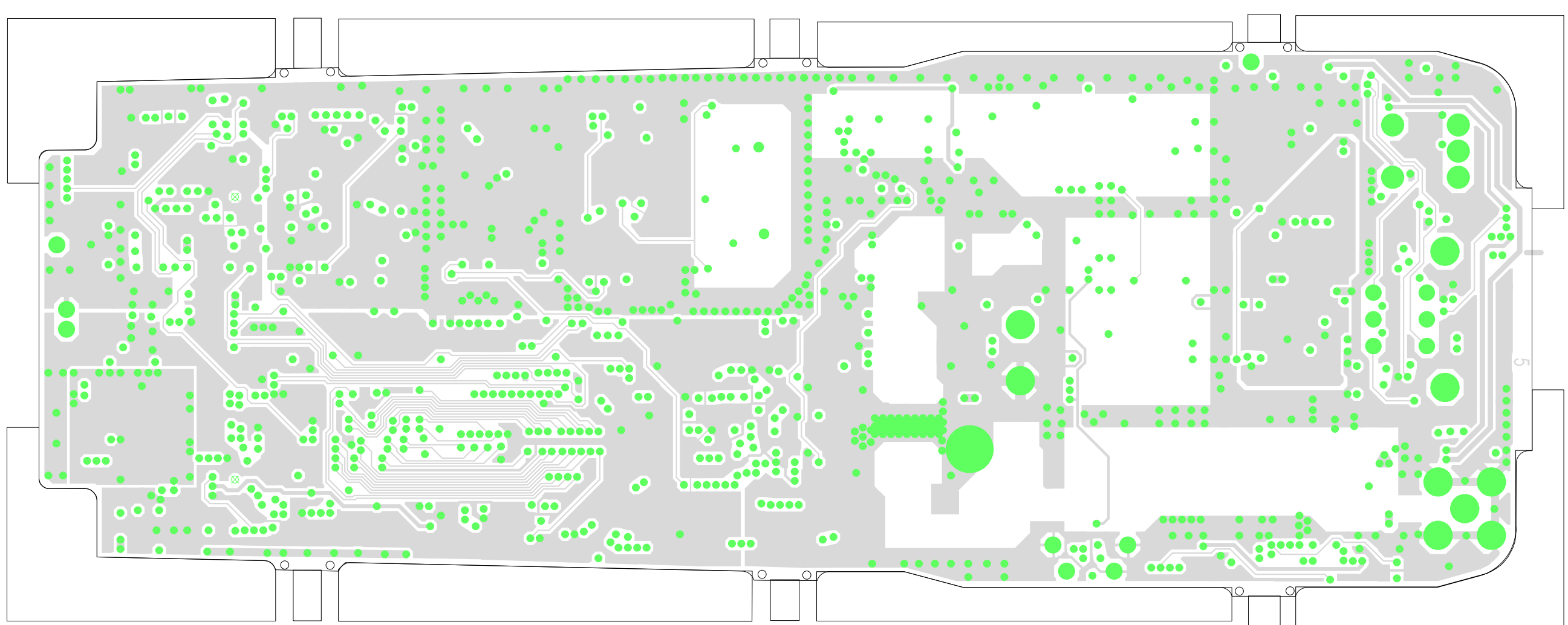
TAIT ELECTRONICS	IPN: 220-01573-01	ISS: -01A	ID: 2.CU	DATE: 17 Nov 1998
ORCA UHF COPPER LAYOUT - LAYER 2				

Scale:2.3:1 ; Rotation: 0 degrees



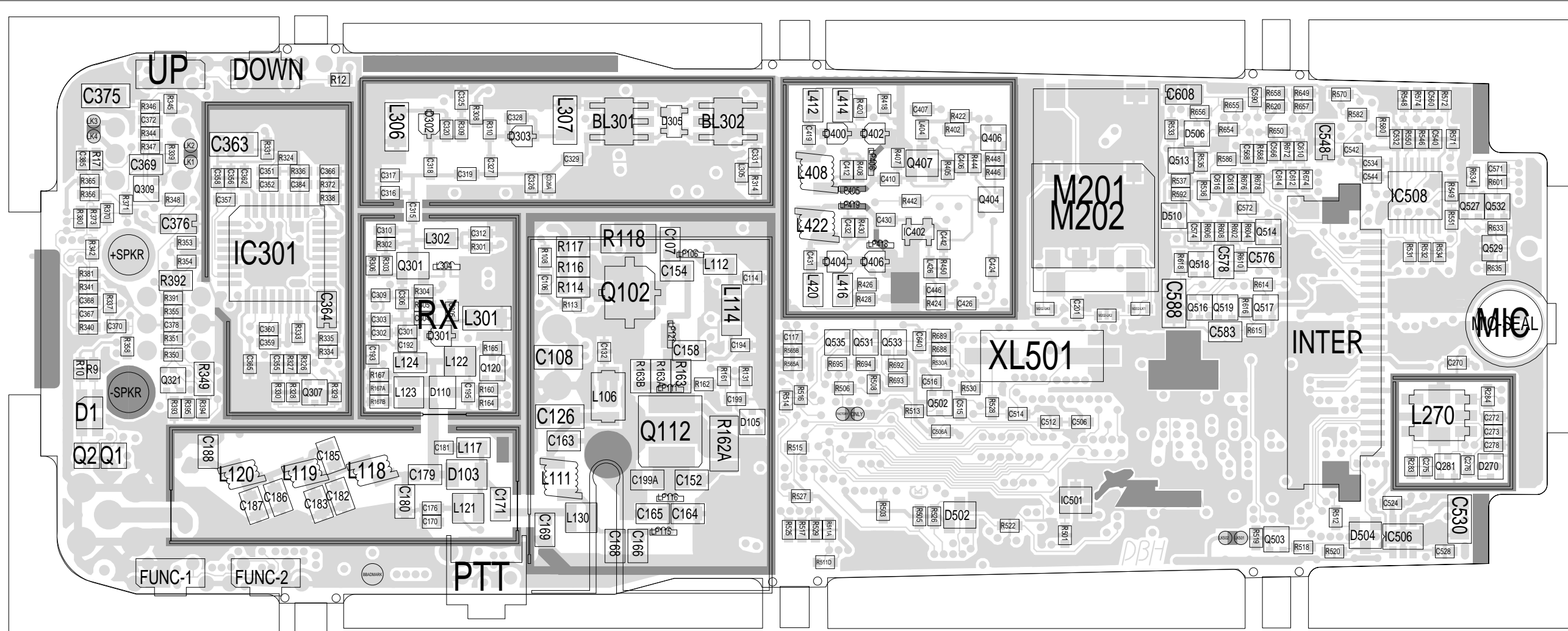
TAIT ELECTRONICS	IPN: 220-01573-01	ISS: -01A	ID: 4.CU	DATE: 17 Nov 1998
ORCA UHF COPPER LAYOUT - LAYER 4				

Scale: 2.3:1 ; Rotation: 0 degrees



TAIT ELECTRONICS	IPN: 220-01573-01	ISS: -01A	ID: 5.CU	DATE: 17 Nov 1998
ORCA UHF COPPER LAYOUT - LAYER 5				

Scale:2.3:1 ; Rotation: 0 degrees



TAIT ELECTRONICS	IPN: 220-01573-01	ISS: -01A	ID: 6.BA	DATE: 17 Nov 1998
ORCA UHF PCB LAYOUT - BOTTOM SIDE				

Scale: 2.3:1 ; Rotation: 0 degrees